



[www.lamaneta.com](http://www.lamaneta.com)  
SERVICE SHEETS

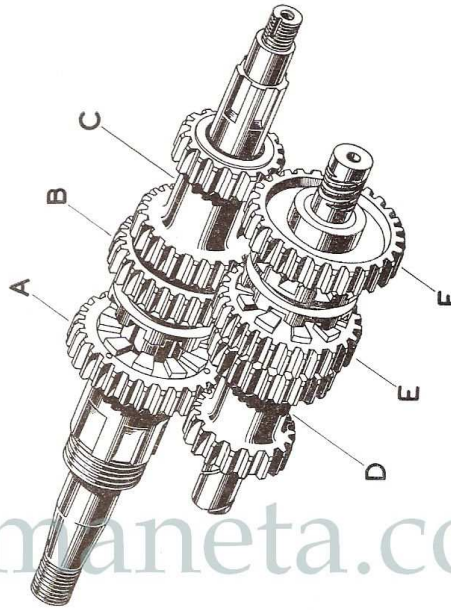
# BSA SERVICE SHEET No. 302C

Reprinted April 1957

## GEAR RATIOS B and M GROUP (RIGID and PLUNGER)

MODELS B 32 & B 34		Part No.	No. of TEETH
MEDIUM	A	15-4185	28
	B	66-3372	25
	C	65-2495	18 x 22
CLOSE (Scrambles)	D	24-4211	17 x 20
	E	65-3407	23
	F	65-3409	27
MODEL			
ENGINE	Part No.	15-1580	15-1580
SPROCKET	No. of Teeth	16	17
GEAR BOX			
SPROCKET	Part No.	65-3394	65-3394
SPROCKET	No. of Teeth	16	16
Gear Ratios			
	Top	7.08	6.63
	Third	9.3	8.74
	Second	12.35	11.41
	First	17.44	16.37

* STANDARD (TRIALS)		A	B	C	D	E	F
MODEL	Part No.	15-4185	66-3372	24-4211	24-4211	66-3375	66-3309
	No. of Teeth	18	25	20 x 17	20 x 17	25	29
ENGINE		B33	B40 and Gossard	M21, M31, S36	M21, M31, S36	M21, M31 S, C4r	M31 S, C4r
SPROCKET	Part No.	15-1584	15-1544	15-1544	15-1544	15-1584	15-1584
SPROCKET	No. of Teeth	17	20	18	20	16	17
GEAR BOX		65-3394	65-3394	65-3394	65-3394	65-3394	65-3394
SPROCKET	Part No.	65-3394	65-3394	65-3394	65-3394	65-3394	65-3394
SPROCKET	No. of Teeth	19	16	19	19	19	19
Gear Ratios with the Combination of Pinions and Sprockets above		Top	5.6	7.26	5.0	5.64	5.28
	Third	7.33	9.3	6.59	7.44	6.25	7.82
	Second	11.5	16.3	11.58	10.87	9.77	12.2
	First	16.7	21.1	14.9	16.81	14.15	17.7
							16.72



MODELS B 32 & B 34		Part No.	No. of TEETH
EXTRA	A	66-3379	26
	B	66-3372	25
	C	65-3486	19 x 23
CLOSE (Road Racing)	D	66-3320	19 x 20
	E	66-3386	22
F	65-3441	26	
MODEL			
ENGINE	Part No.	B32	B34
SPROCKET	No. of Teeth	18	20
GEAR BOX			
SPROCKET	Part No.	65-3393	65-3393
SPROCKET	No. of Teeth	19	19
GEAR RATIOS			
	Top	5.28	4.75
	Third	5.77	5.19
	Second	6.9	6.22
	First	9.86	8.89

SERVICE DEPARTMENT, B.S.A. MOTOR CYCLES LTD., BIRMINGHAM 11, ENGLAND

www.lamaneta.com